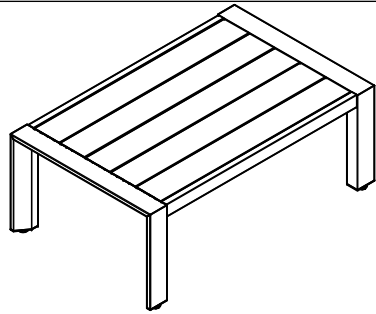
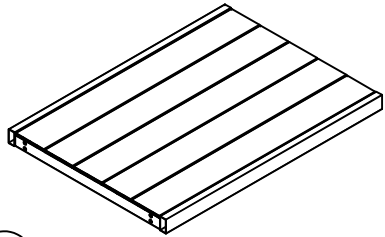
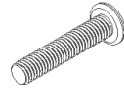


Jura Corner Set Assembly Instructions

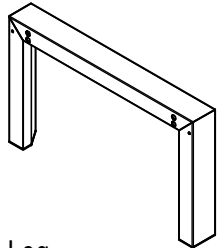
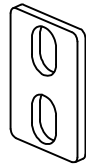


1 x 8 M8x40

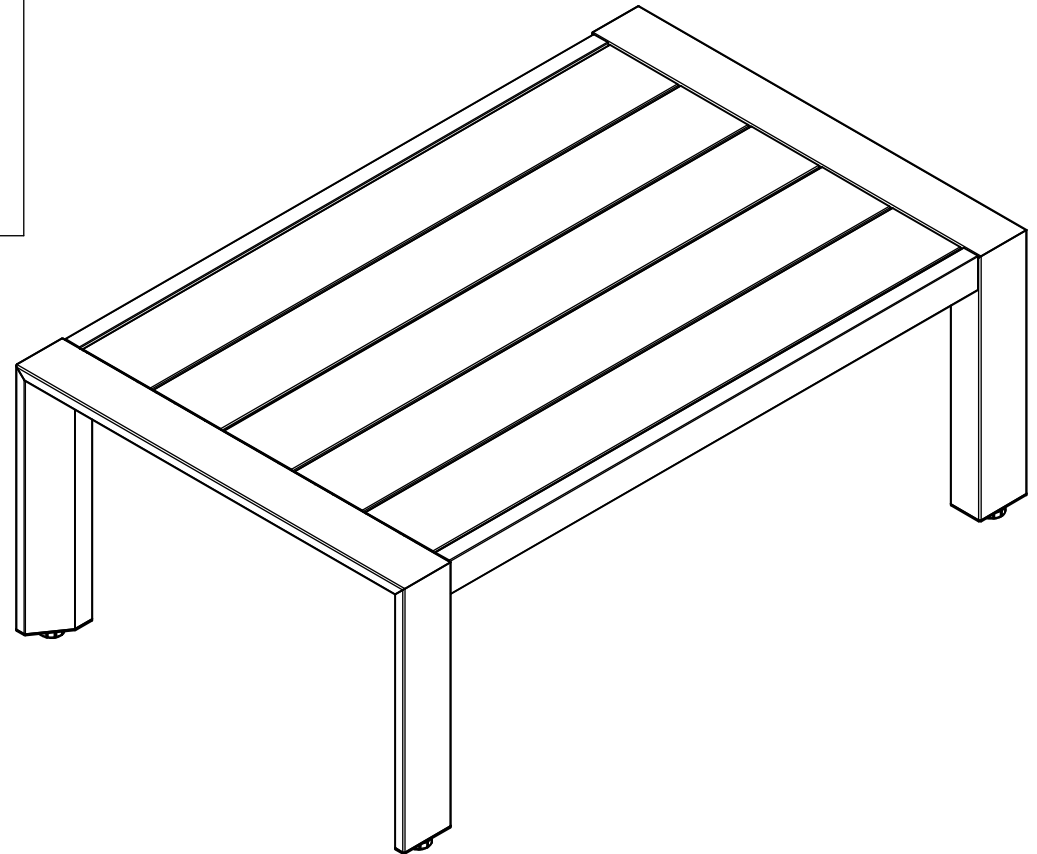


A x 1 Main frame

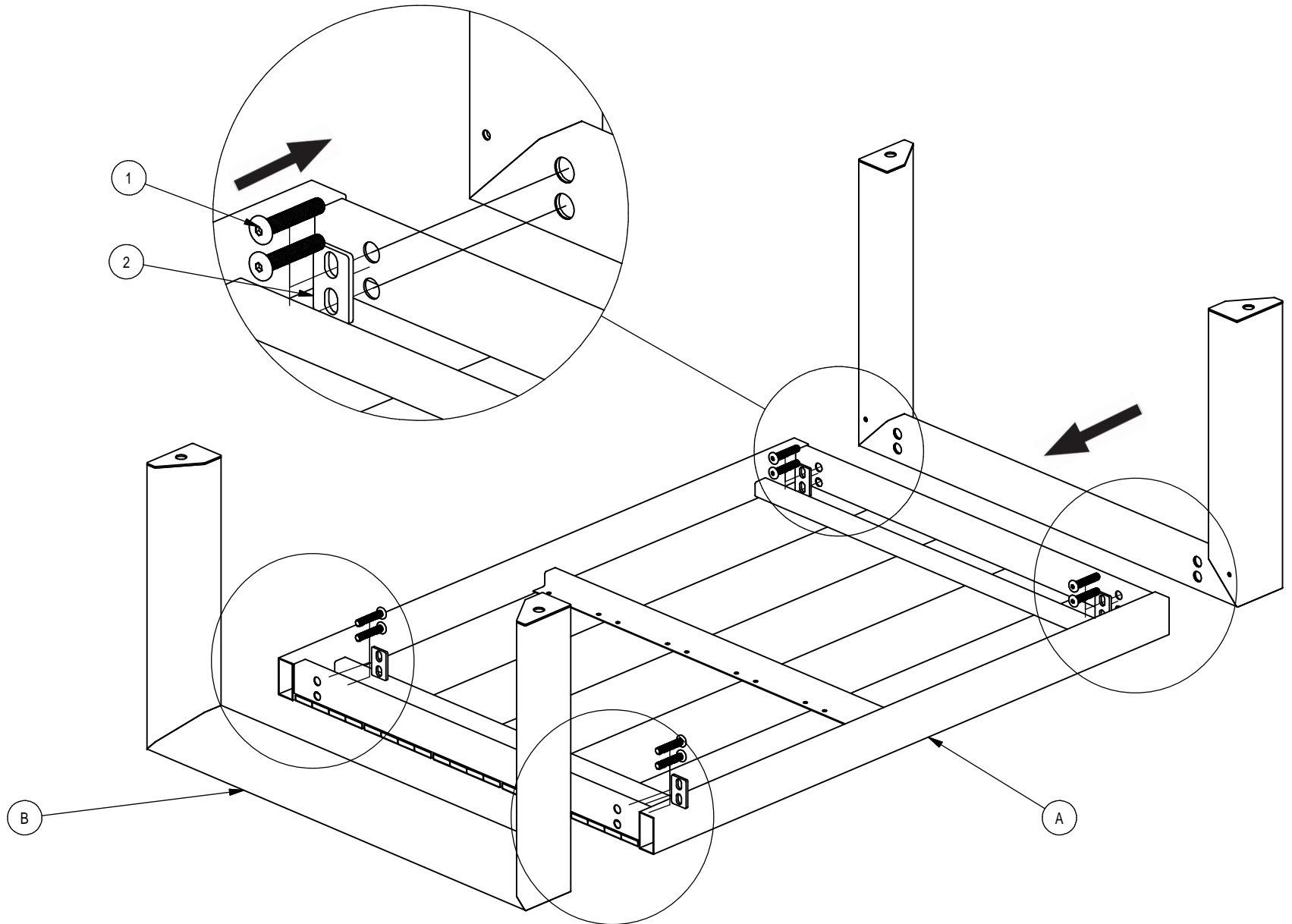
2 x 4 Pat I 38x20x3



B x 2 Leg



Jura Corner Set Assembly Instructions



Jura Corner Set Assembly Instructions

