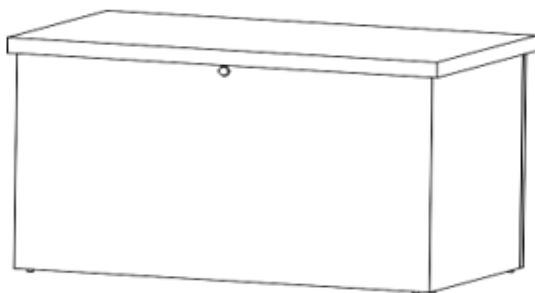
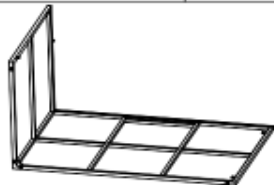


RATHLIN CUSHION BOX

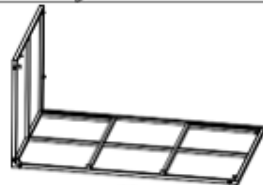


1 x4 M6x20
2 x4 M6x40
3 x8

4 x1
5 x2



A x1



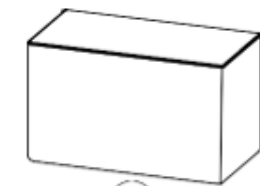
B x1



C x1



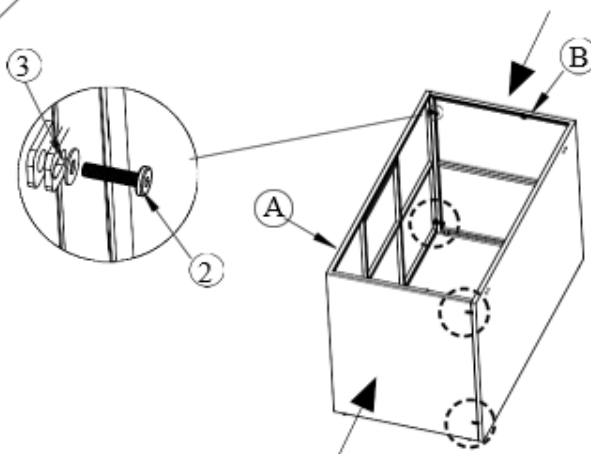
D x1



E x1

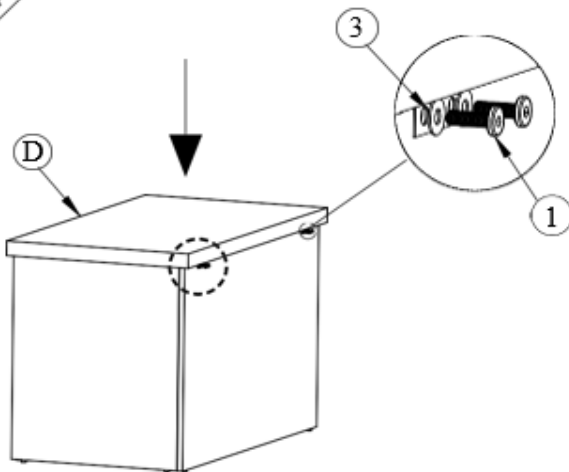
TruGarden™ - by - lights4fun.

Step 1



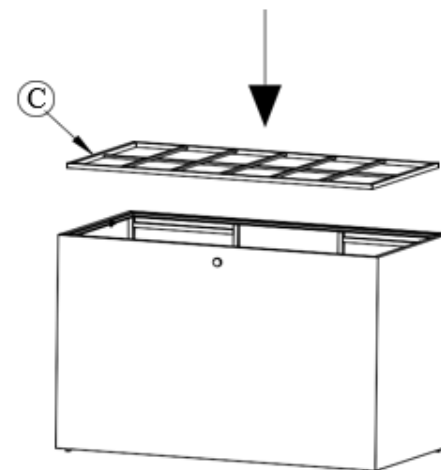
LOCK 50%

Step 3



LOCK 50%

Step 2



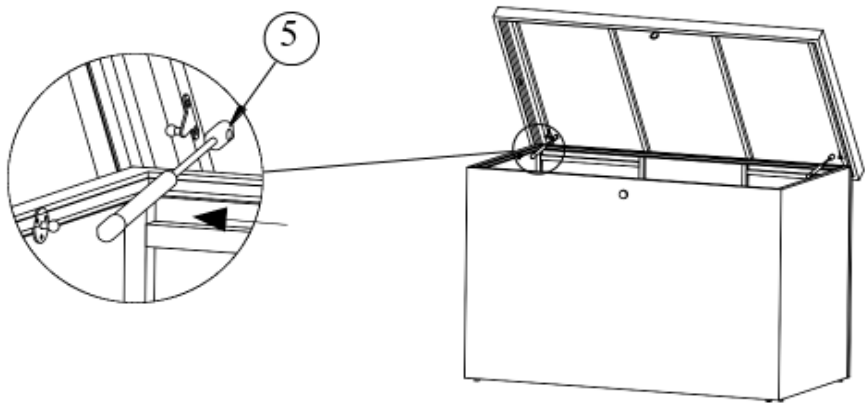
LOCK 50%

Step 4

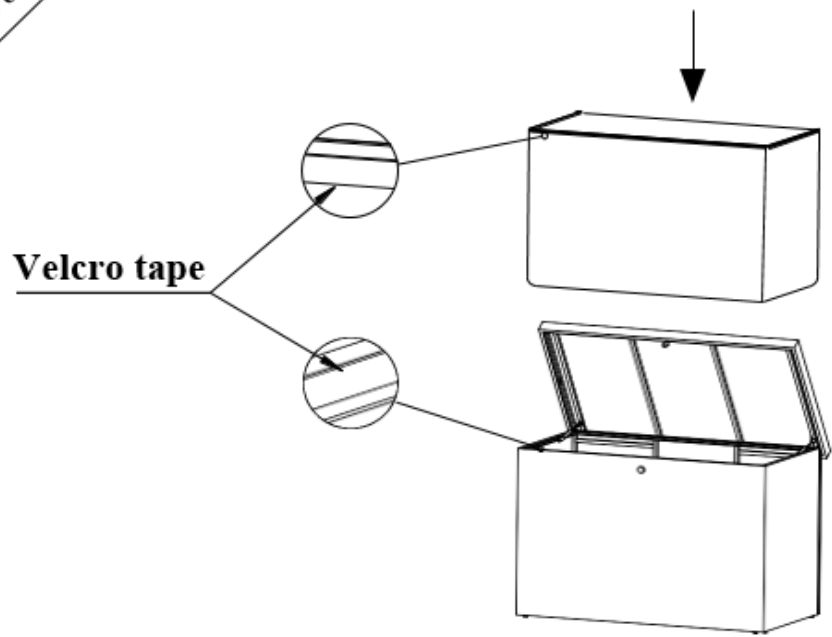


LOCK 100%

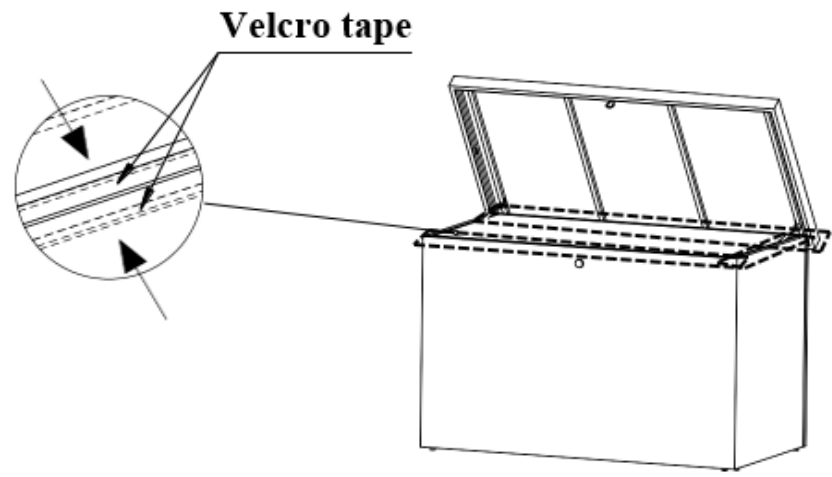
Step 5



Step 6



Step 7



Finish

